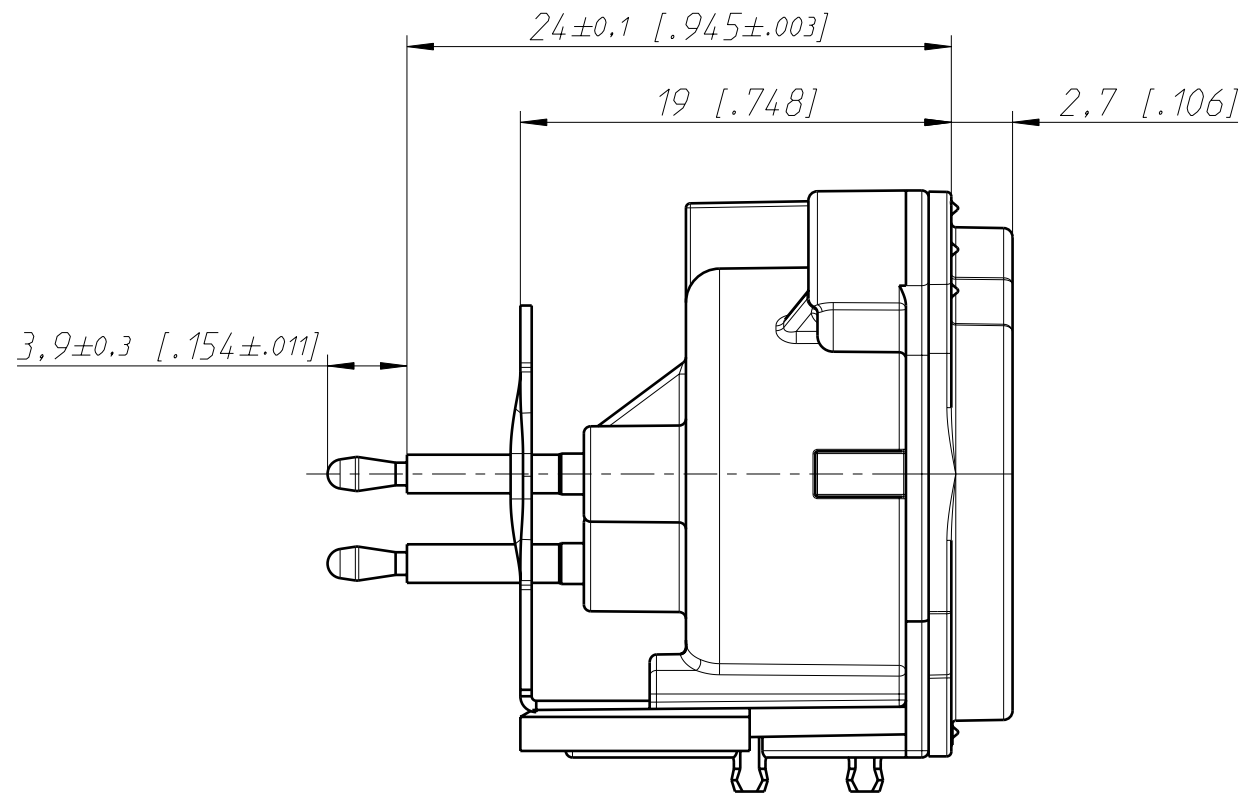
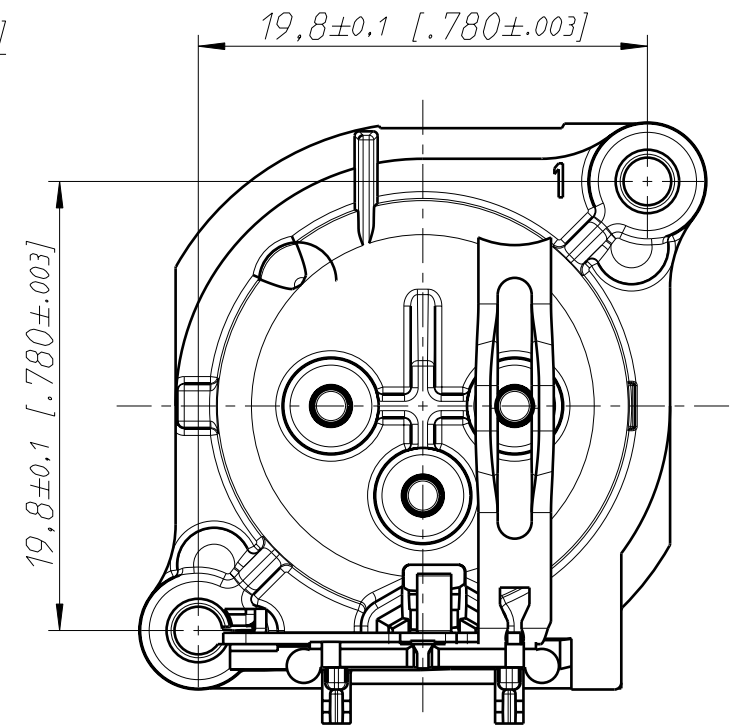


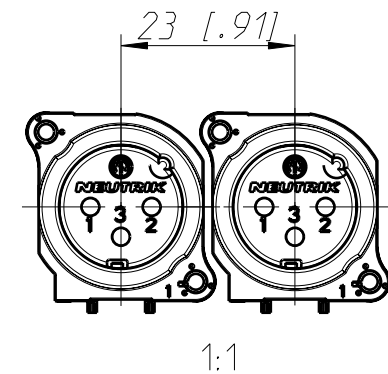
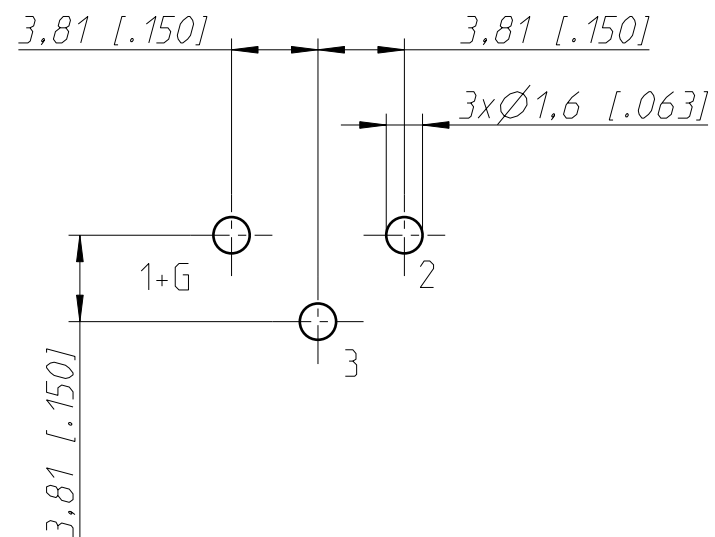
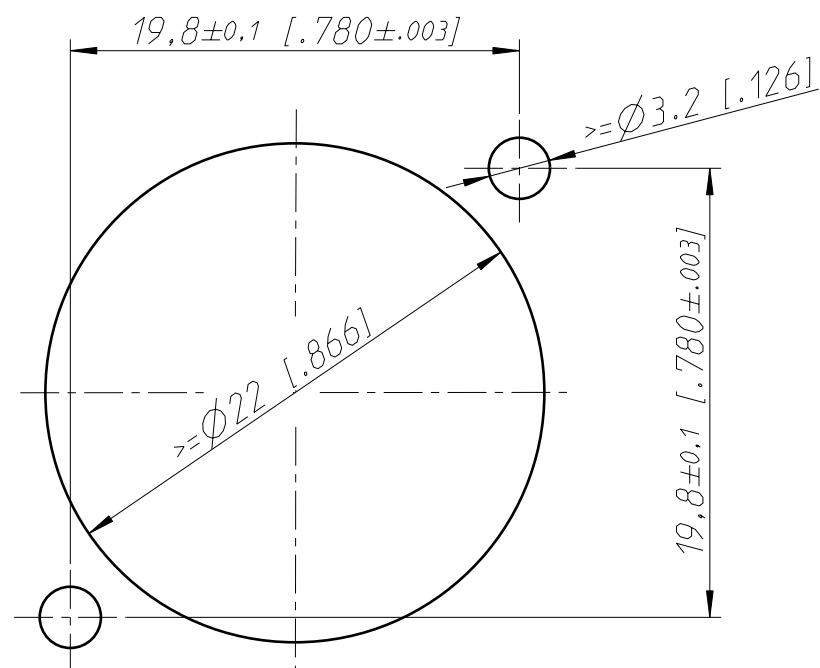
Frontplattenausschnitt (Rueckseite)  
Panel cut out (rear side)



Print Bohrplan (Bestueckungsseite)  
PCB-Layer (component side)



min. Einbauabstand  
min assembling distance



Layout tolerance: ±0.05mm [0.002"]

General tolerances ISO 2768-m	Scale	Date	Name
Refer to protection notice ISO 16016.	3:1 (A3)	27.01.11	Karlinger
Name	NC 3MBV NC 3MBV-1	Drawn	-
		Modified	-
		Change-No.	Sheet-No.
		-	1 / 1
		Index	-
Replacement for:		Drawing-No.	
NEUTRIK		ST-NC 3MBV-1	