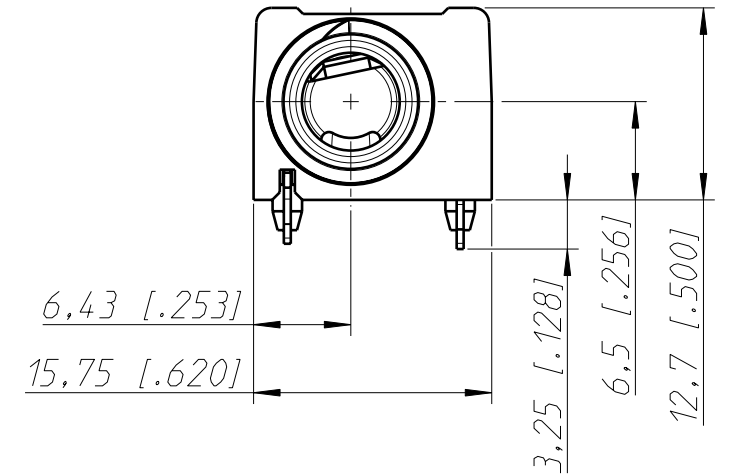
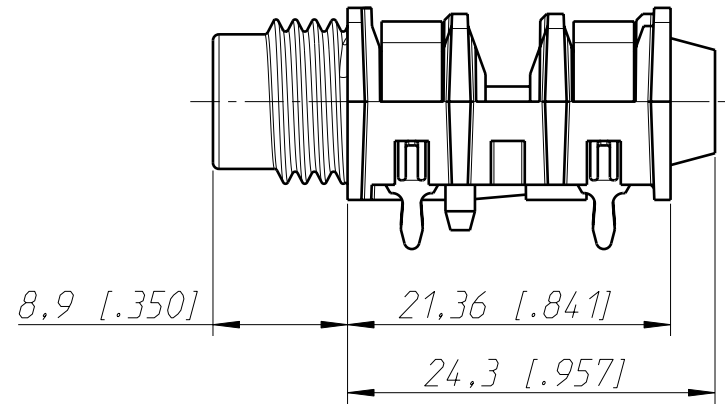
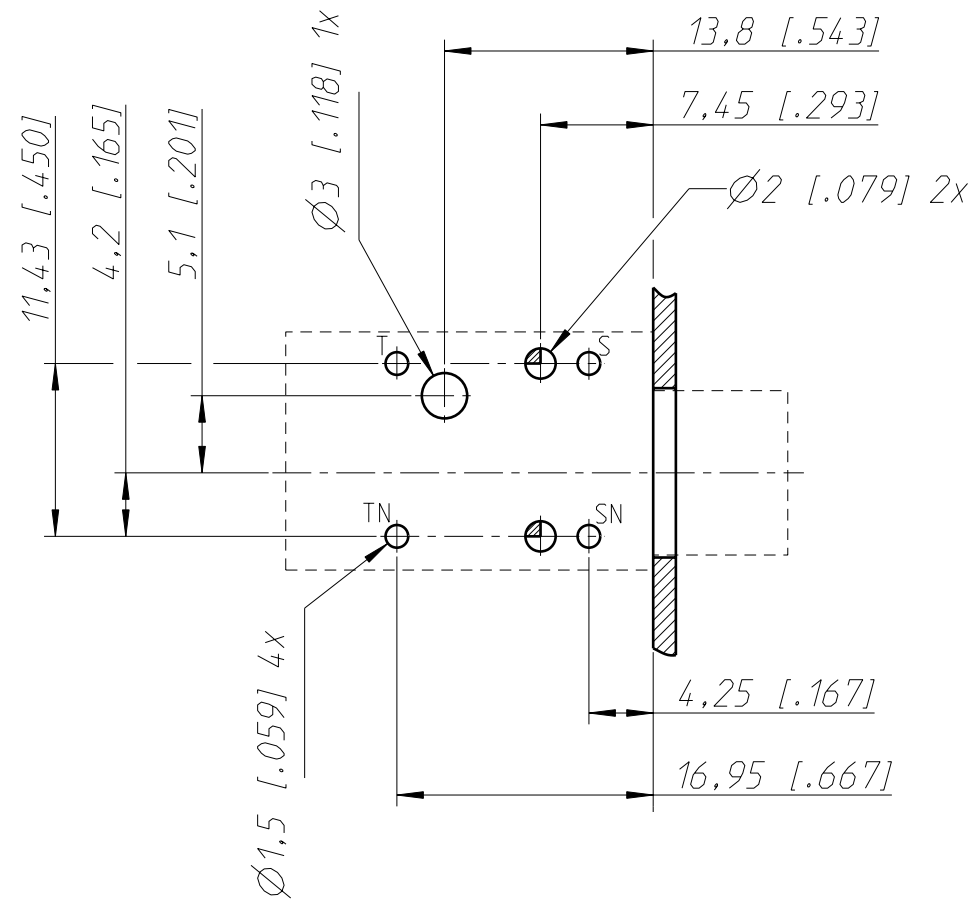
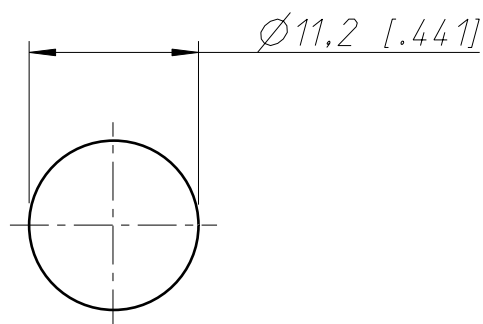


Print Bohrplan Bestückungsseite
PCB-Layout (component side)

- Ø3 ... Anschraubbohrung (srew hole) optional
- Ø2 ... Zentrierstiftbohrungen (location pin holes)
- Ø1.5 ... Kontaktbohrungen (contact holes)



Frontplattenausschnitt (Rückseite)
Panel cut out (rear side)



Sheet Number 1/1	Projection 	Scale 2:1	Format A3	Tolerancing ISO 2768-mK	
ECN Number -		Created 21.11.2002		nmi	
Description NRJ4HH	Modified 19.02.2021			mmu	
	Approved 19.02.2021			phk	
	Status Released				
NEUTRIK	3D Model ID NRJ4HH	Document ID ST-NRJ4HH		Revision -	