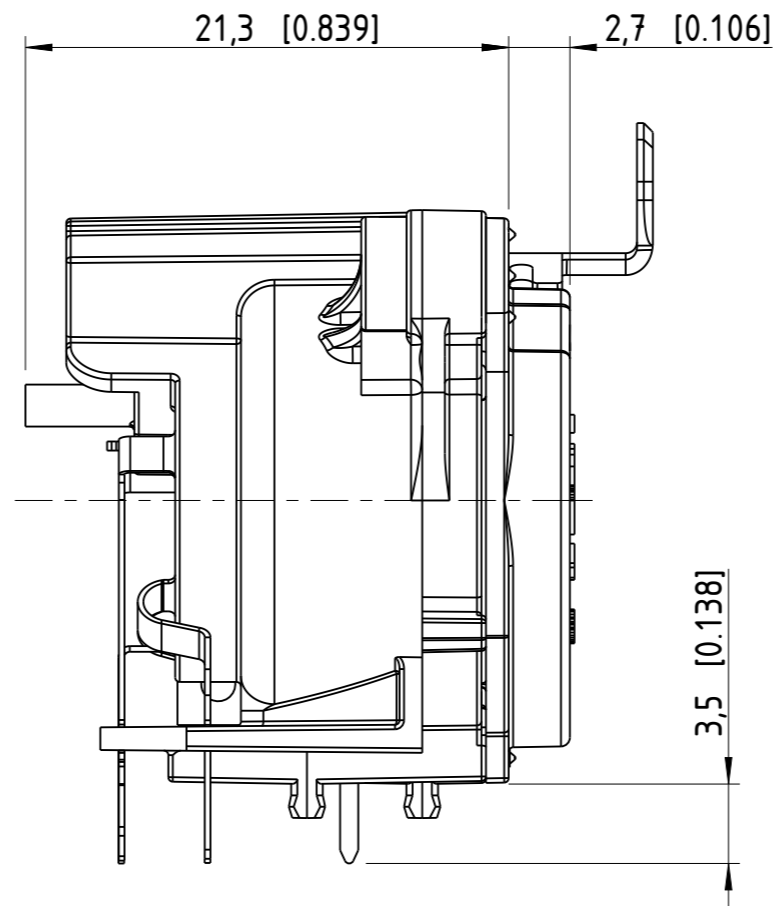
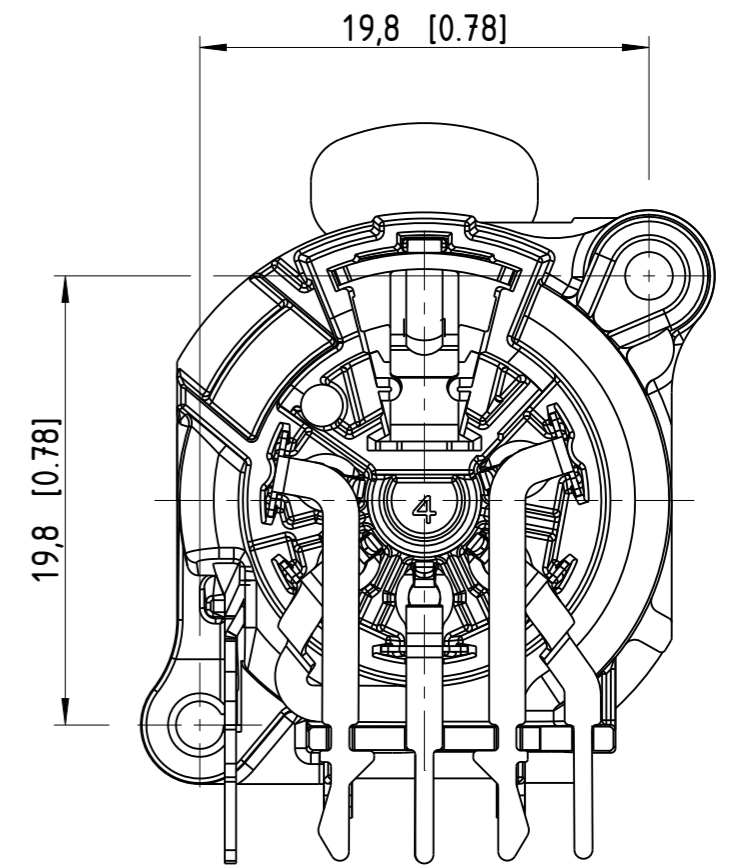


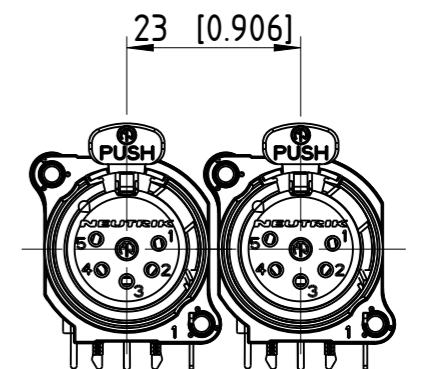
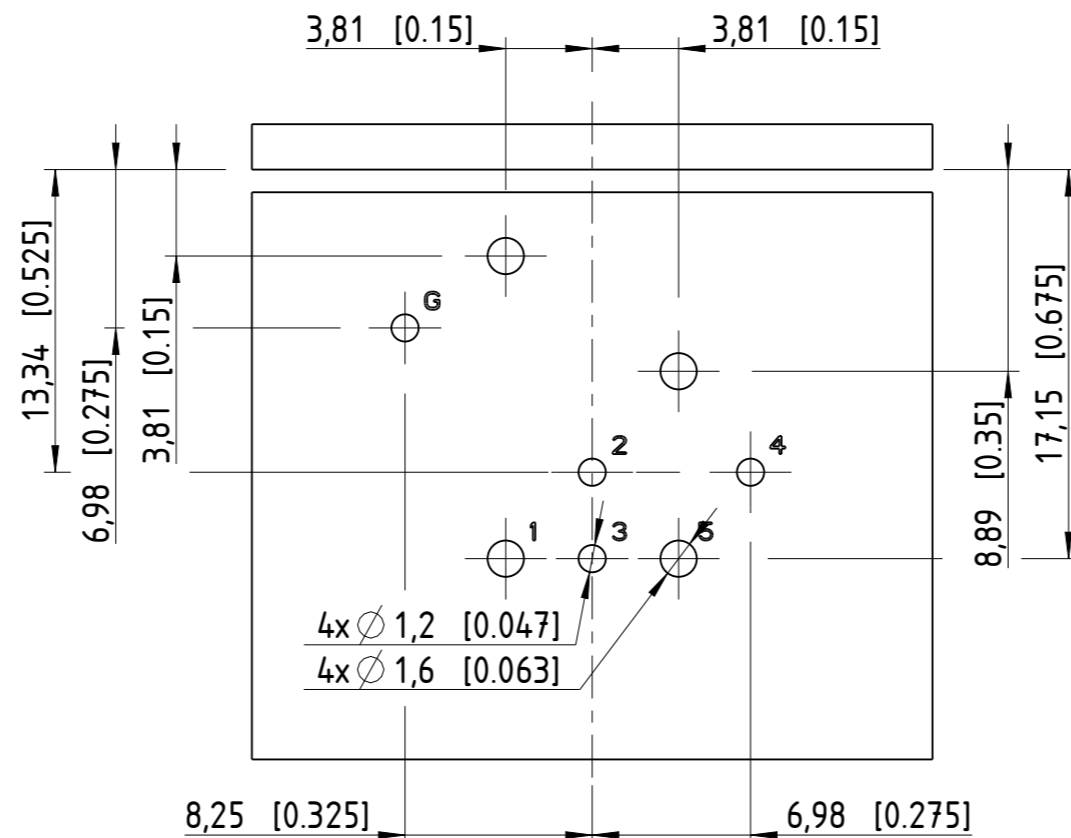
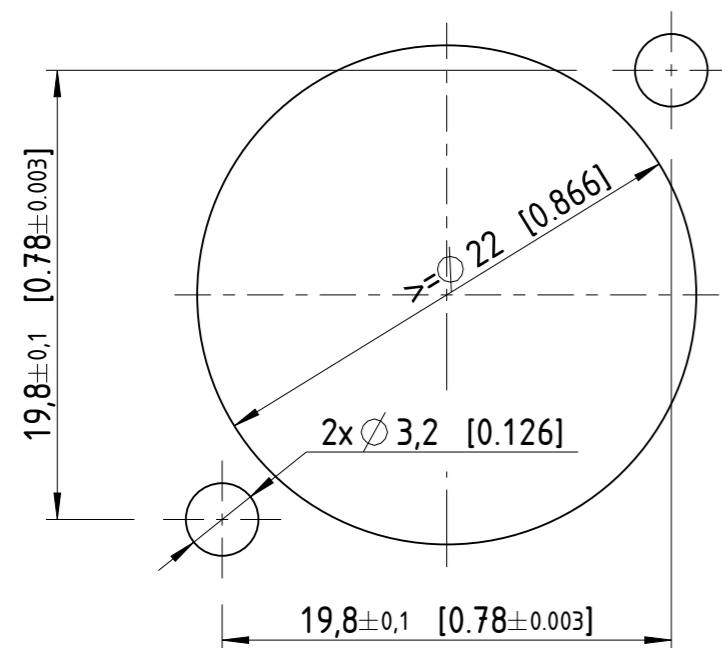
Frontplattenausschnitt (Rückseite)
Panel cut out (rear side)



Print Bohrplan (Bestückungsseite)
Pcb-Layout (component side)



min. Einbauabstand
min assembling distance



Sheet Number 1/1	Projection 	Scale 3:1	Format A3	General Tolerancing ISO 2768 mK	
Description			Created on/by	11.12.2002	Mijatovic N.
NCSFBH1			Approved on/by	24.07.2024	Feurle E.
			Article ID	Model ID	Drawing ID
			NCSFBH1	30009352	20003670
Status	Revision		ECN Number		Neutrik Group
Released	A		20000000		