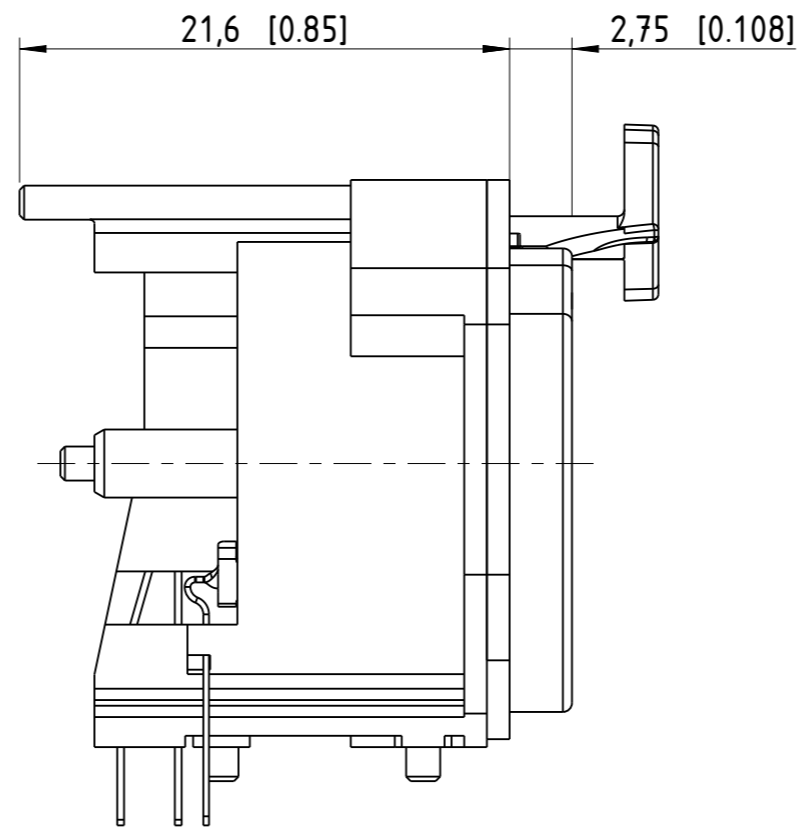
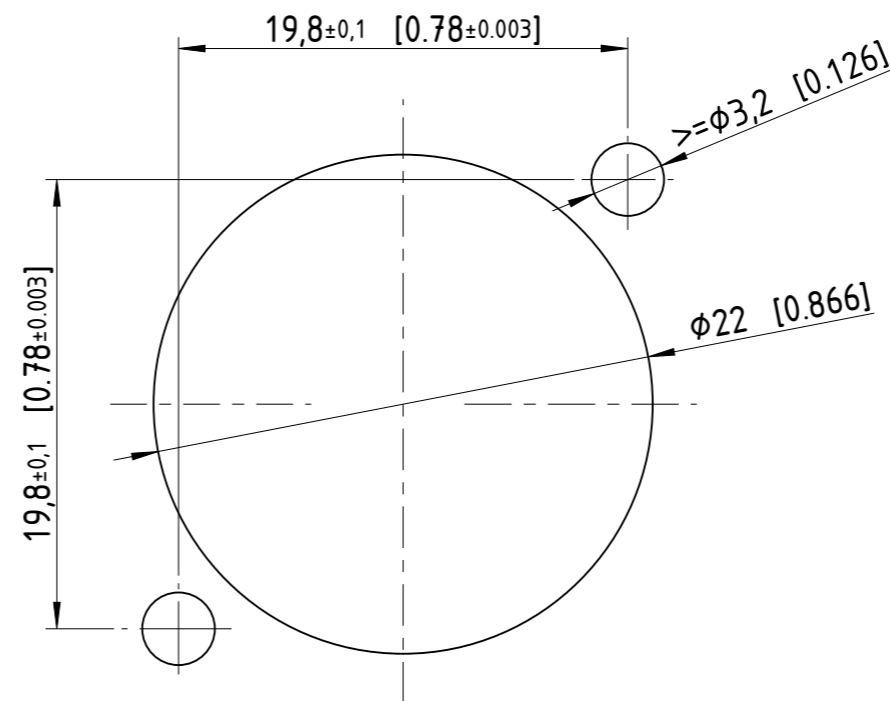
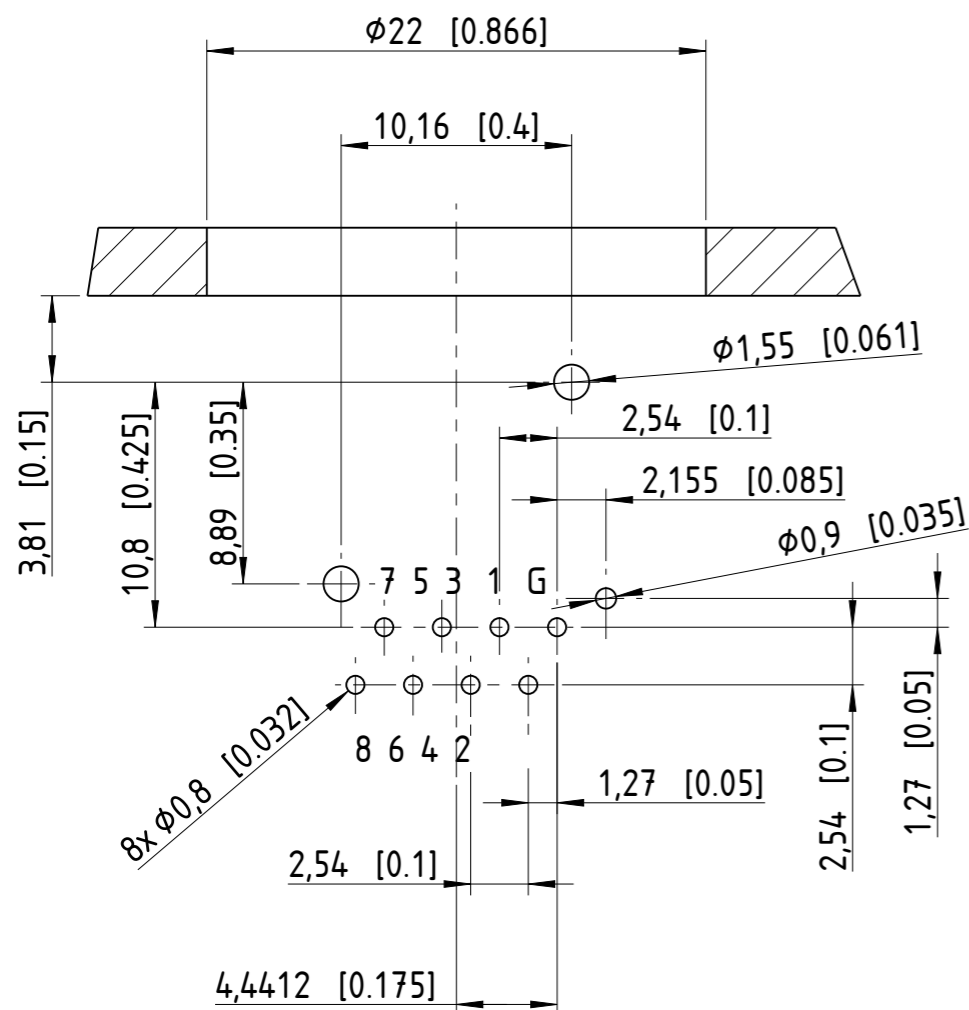
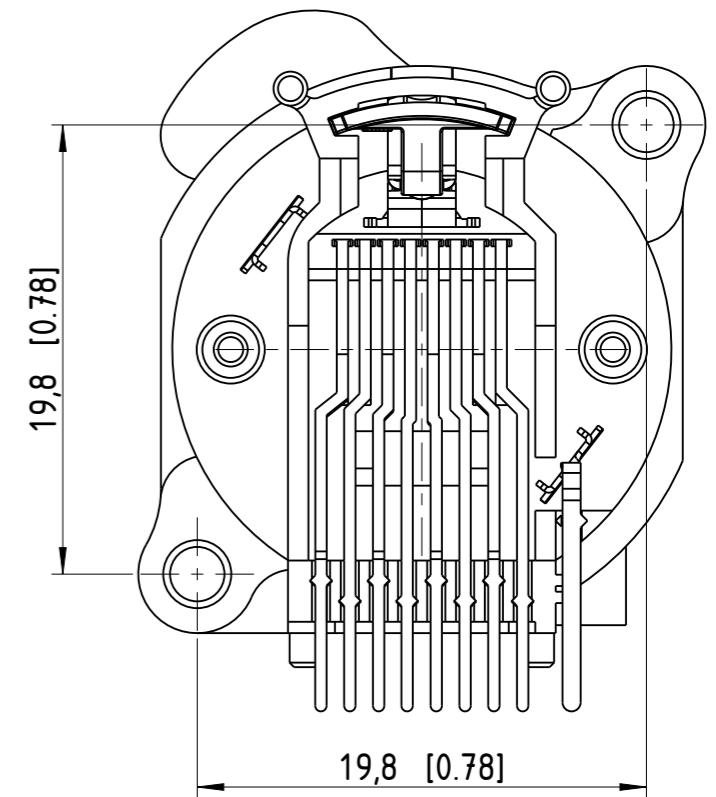


Print Bohrplan Bestückungsseite
PCB-Layout (component side)



Frontplattenausschnitt (Rückseite)
Panel cut out (rear side)



Sheet Number 1/1	Projection 	Scale 3:1	Format A3	General Tolerancing ISO 2768 mK	
Description			Created on/by	04.02.2022	Schmiedl T.
NE8FAH-ESD			Approved on/by	02.08.2024	Schmiedl T.
			Article ID	Model ID	Drawing ID
			NE8FAH-ESD	30009529	20003781
Status	Revision		ECN Number		Neutrik Group
Released					