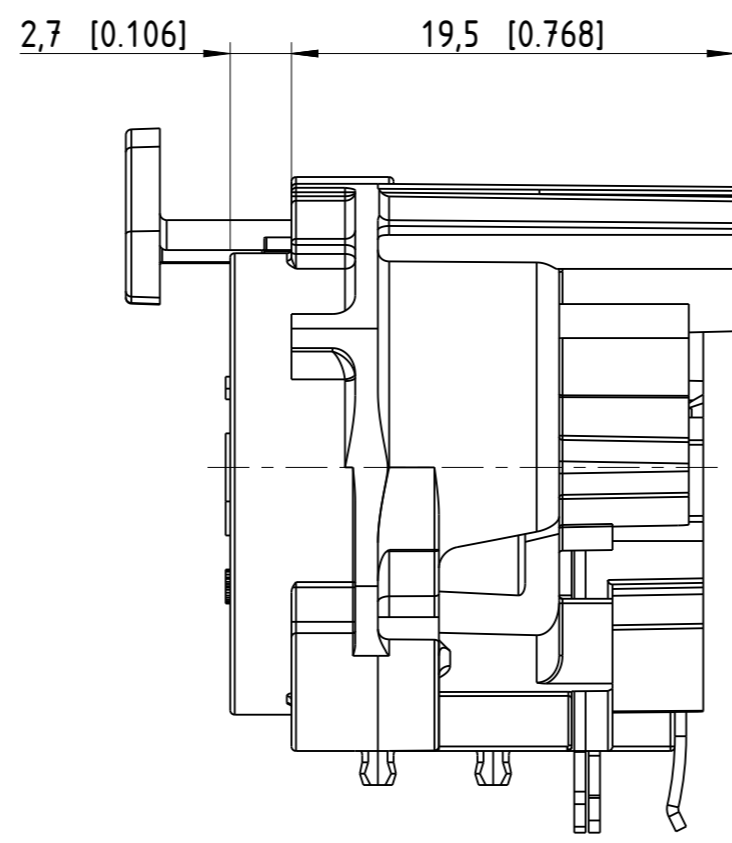
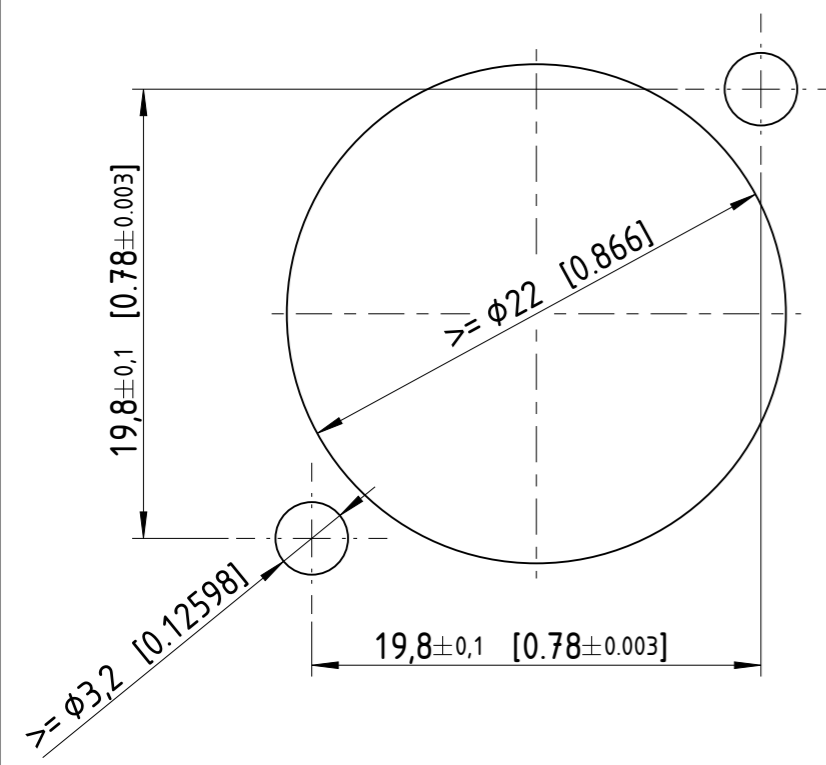
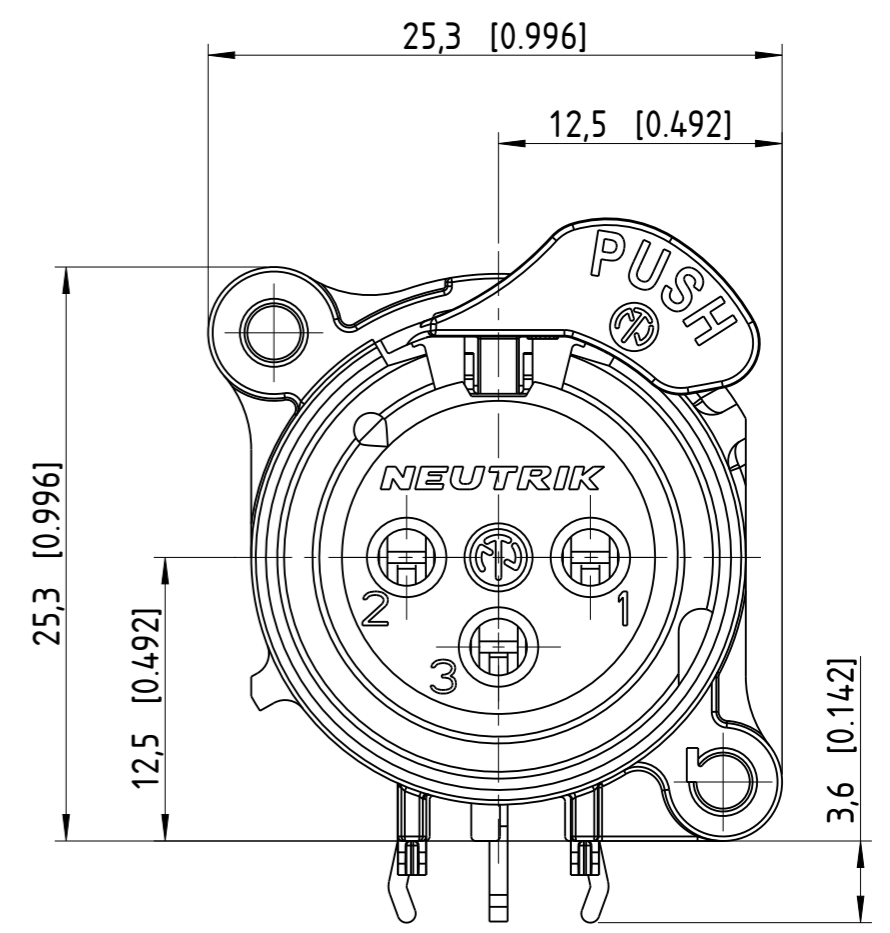
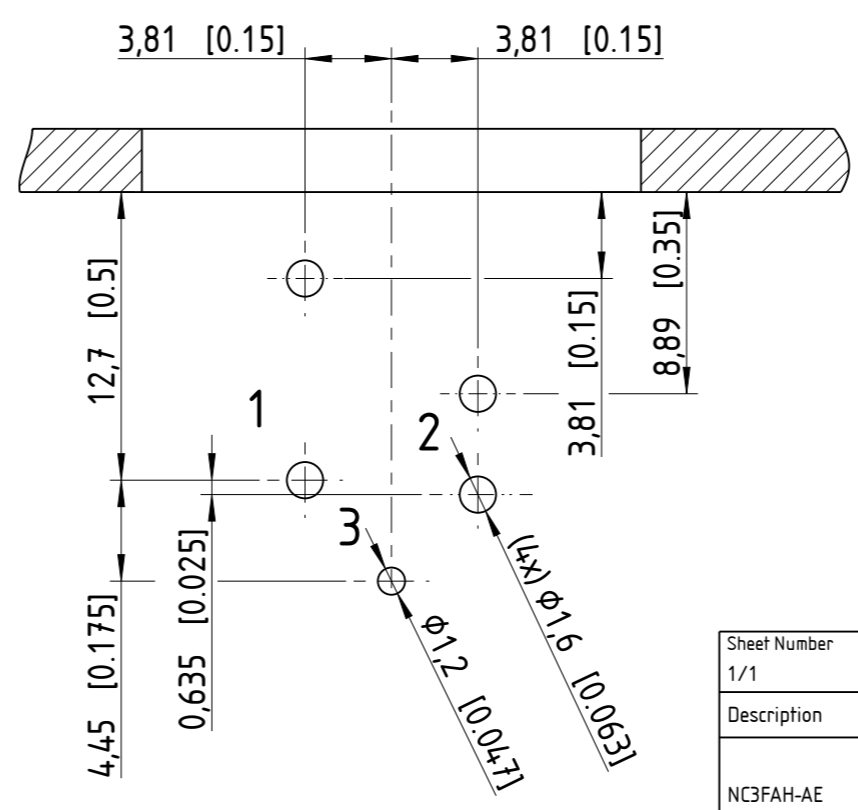


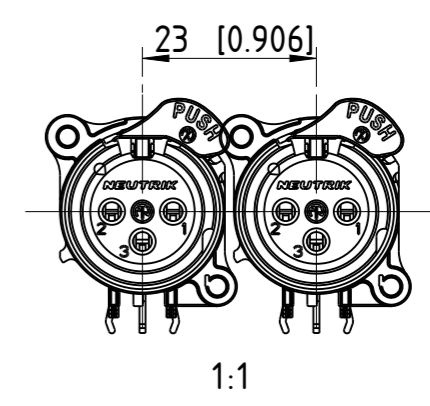
Frontplattenausschnitt (Rückseite)
Panel cut out (rear side)



Print-Bohrplan (Bestückungsseite)
PCB-Layout (component side)



min. Einbauabstand
min assembling distance



Sheet Number 1/1	Projection 	Scale 3:1	Format A3	General Tolerancing ISO 2768 mK	
Description			Created on/by	29.06.2023	Schmiel T.
NC3FAH-AE			Approved on/by	22.04.2024	Feurle E.
			Article ID	Model ID	Drawing ID
Status			Revision	ECN Number	
Released			-	-	

Neutrik Group