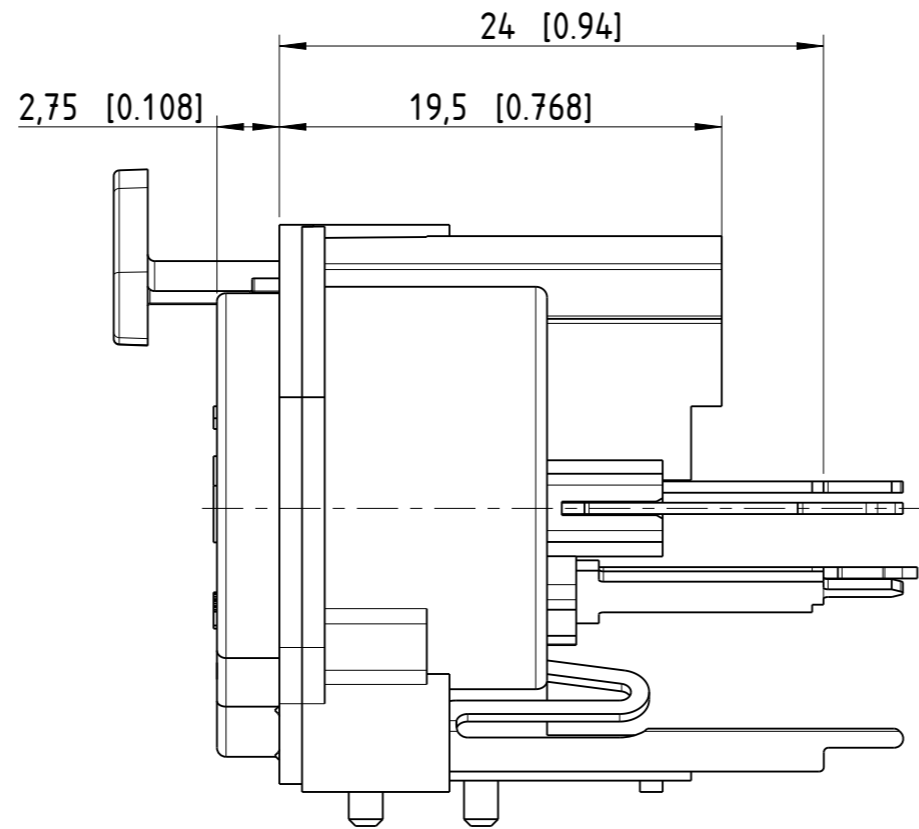
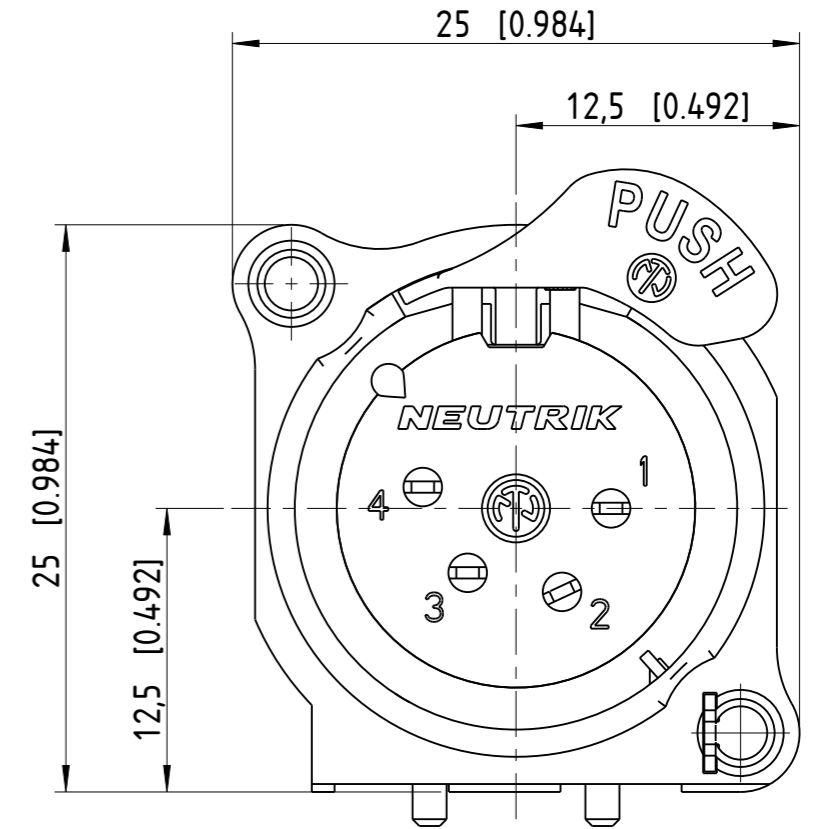


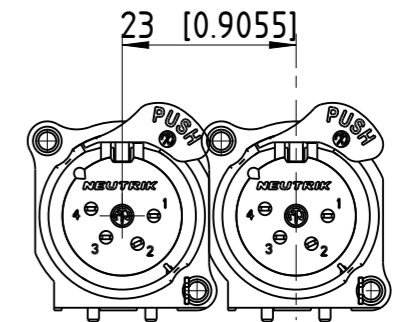
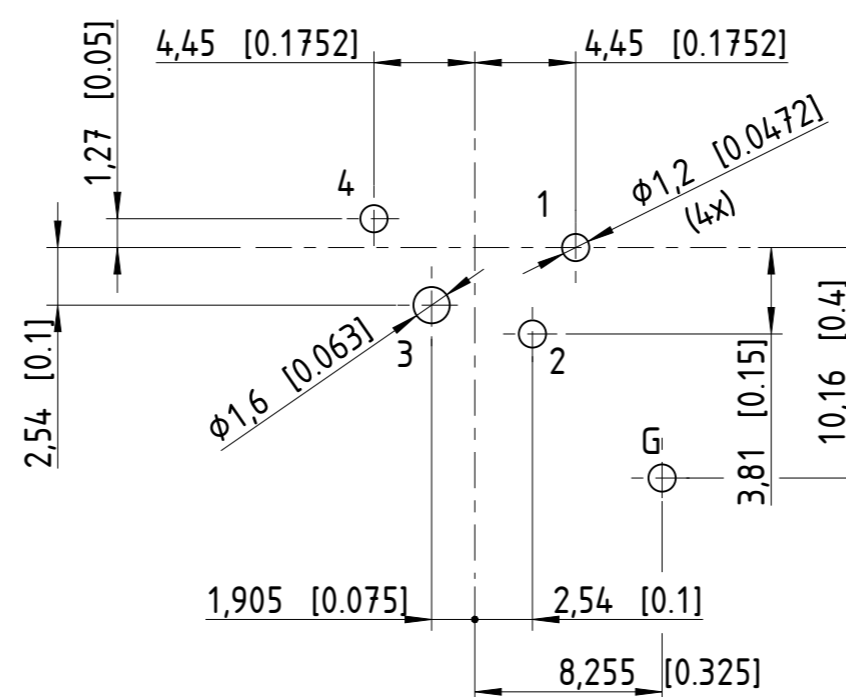
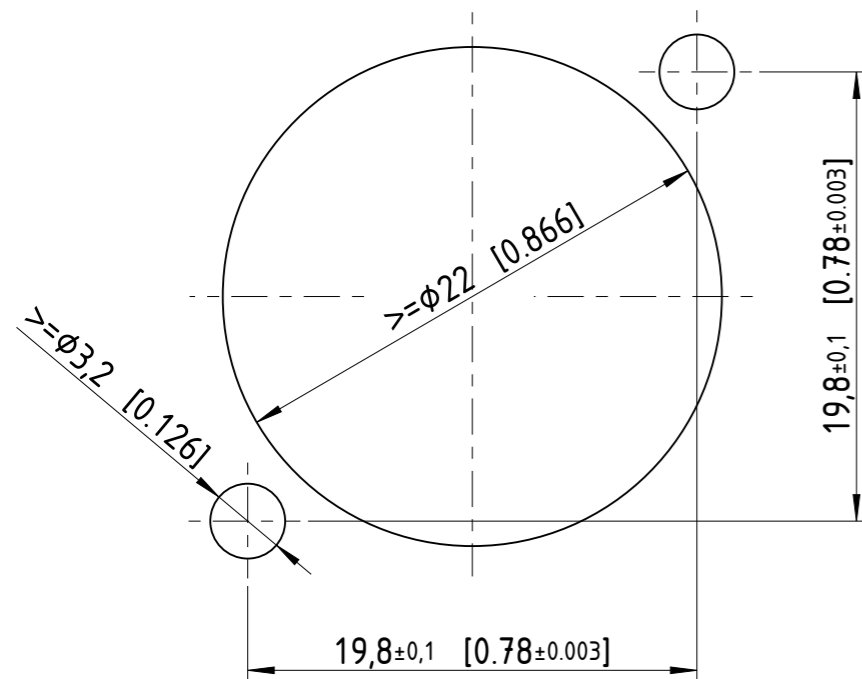
Frontplattenausschnitt (Rückseite)  
Panel cut out (rear side)



Print Bohrplan (Bestückungsseite)  
PCB Layout (component side)



min. Einbauabstand  
min. assembling distance



M 1:1

Sheet Number 1/1	Projection 	Scale 3:1	Format A3	General Tolerancing ISO 2768 mK	
Description			Created on/by	05.07.2023	Schmiel T.
NC4FAV-AE			Approved on/by	05.07.2023	Schuster R.
			Article ID	Model ID	Drawing ID
			NC4FAV-AE	30010771	20004444
Status	Released		Revision	ECN Number	
			-	-	