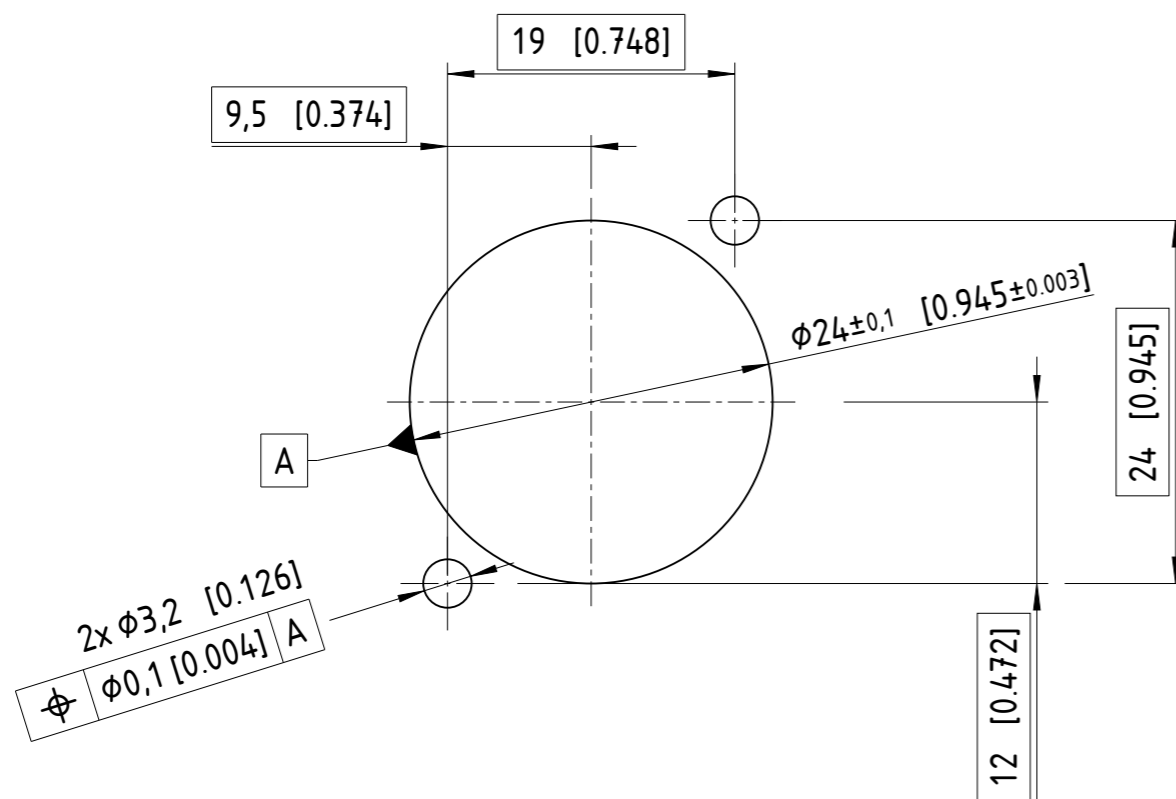


Panel cut out (rear side)



Sheet Number 1/1	Projection 	Scale 1.5:1	Format A3	General Tolerancing ISO 2768 mK	
Description			Created on/by	07.02.2023	Frenzel S.
NC3MDXX-TOP			Approved on/by	12.07.2023	Ender N.
			Article ID	Model ID	Drawing ID
			NC3MDXX-TO	30010273	20004453
Status	Revision		ECN Number		Neutrik Group
Released					